

Easy Spa Cover Measuring Guide

Got Questions? 

Contact a spa cover specialist toll free.
Call 1-800-770-0292
Monday-Friday, 9AM to 5PM Pacific Time
or send an email to
customer@hottubworks.com.

If you have a printer attached to your computer, you may want to [print these instructions](#) to take with you when you measure your spa.

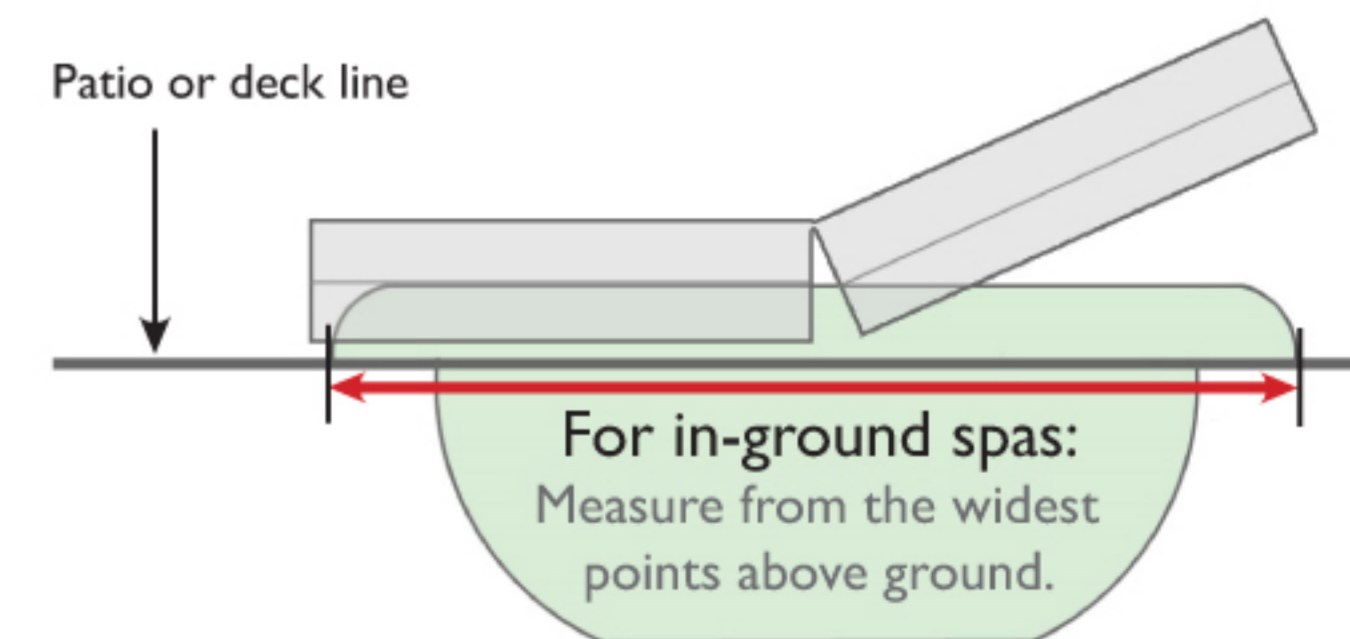
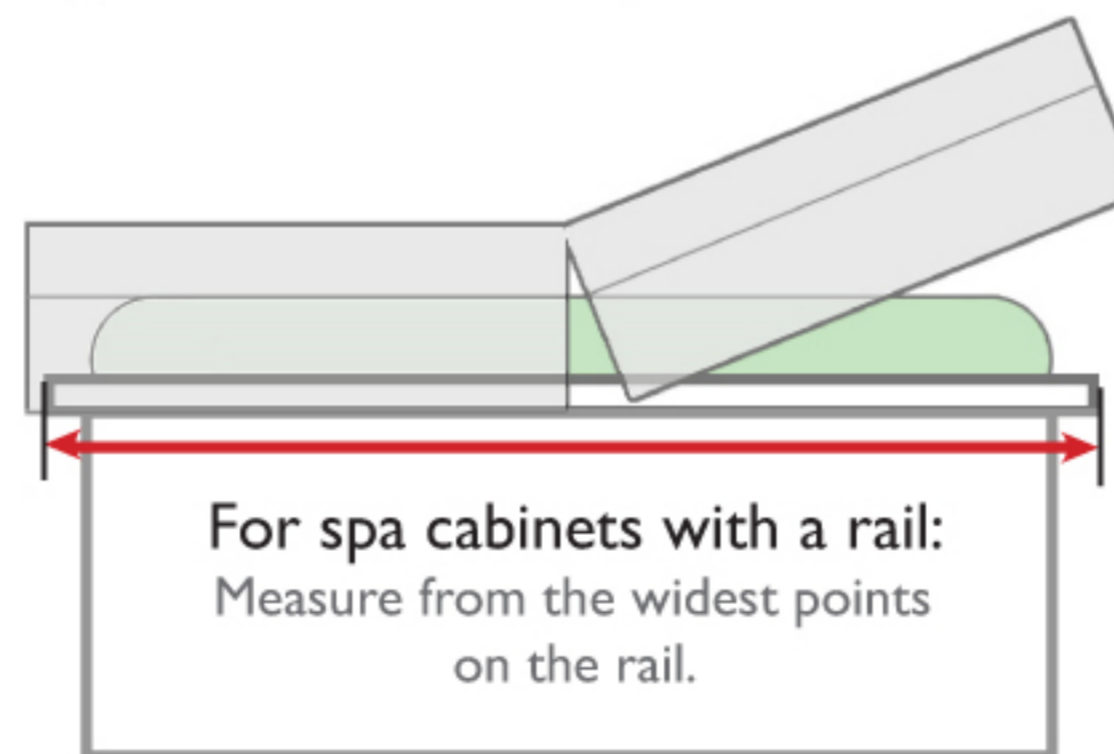
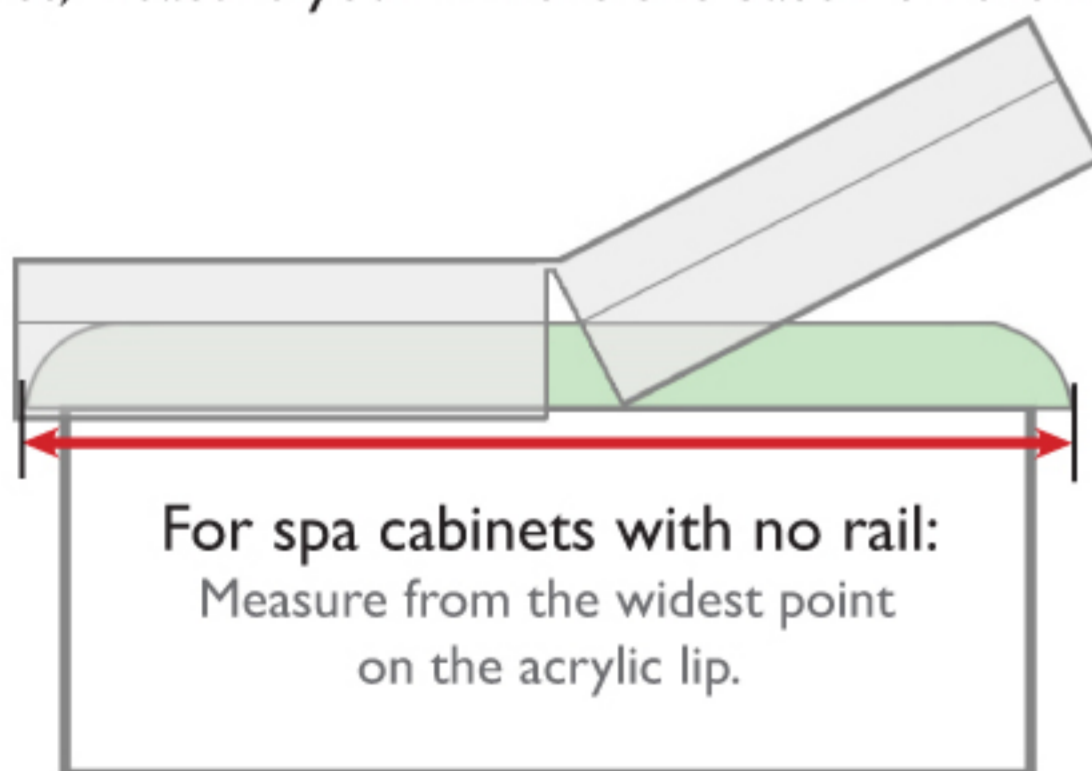
1. First, what exactly should I measure - my cover or my spa?

The conventional wisdom says: "Don't measure your spa cover, measure your spa." In truth, if you love the way your current cover fits, go ahead measure the cover. However, if your cover is waterlogged, warped, or misshapen in any way, you should definitely measure your spa.

Disclaimer (our finance guy made us put this in): We guarantee your cover will be a perfect fit and manufactured to within 1" of the measurements you give us. If we make a mistake, we'll be adults, take responsibility for it and replace your cover at no charge. If you make a mistake, you'll be responsible for it because that's the way the world works (unless you are a has-been celebrity with really expensive lawyers). We review every order and we often catch mistakes before they go into production but we can't absolutely guarantee it will be perfect unless you review the dimensions you give us. In reality, measuring for a spa cover is really easy. Follow these simple tips and you'll be fine. You can also watch our exclusive video "Measuring For a New Spa Cover" available on our website.

2. Where should I measure?

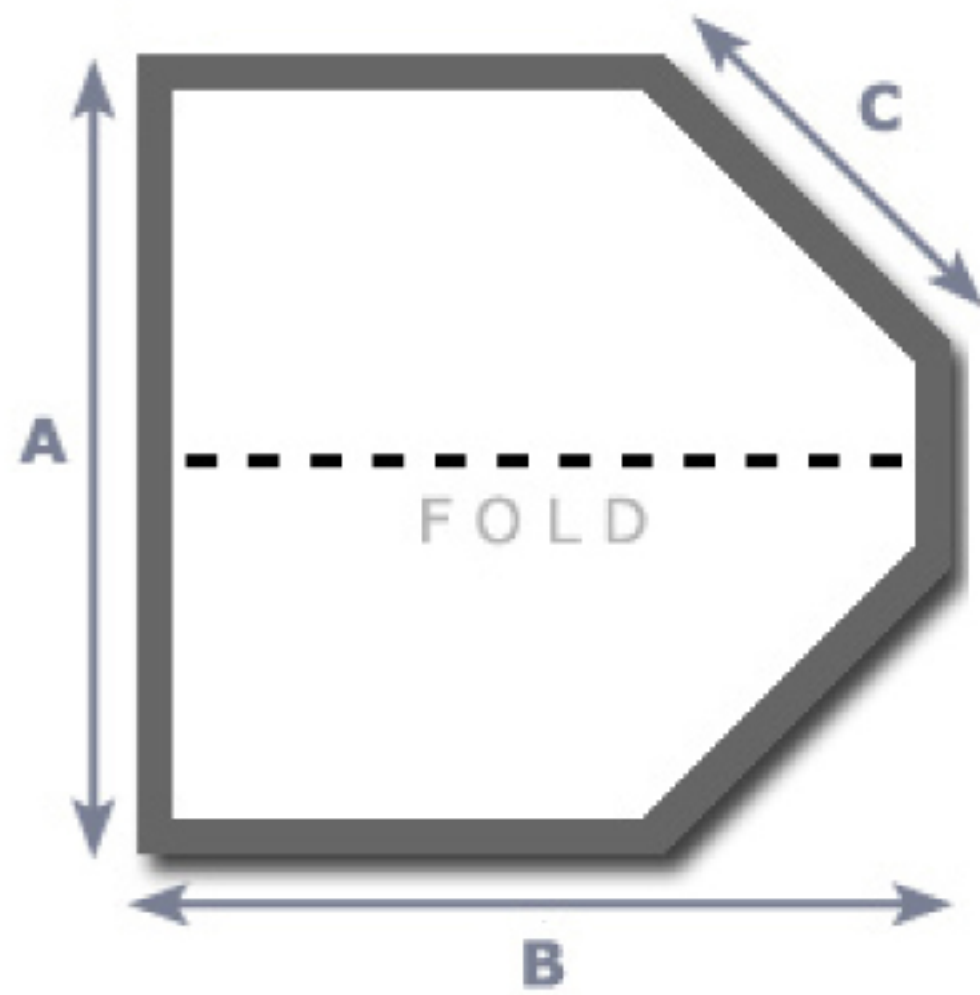
First, measure your dimensions based on the installation type that best matches your own:



3. How should I measure it?

Measure each requested dimension in inches at the widest point. Round up every measurement to the nearest inch. The rule of thumb is that if a cover is a little too big, it will probably work fine. If it's a little too small, it probably won't. In cases where your measurements are close to a perfect square (example: 88.5" x 88"), it probably is.

Two Cut Corner: A

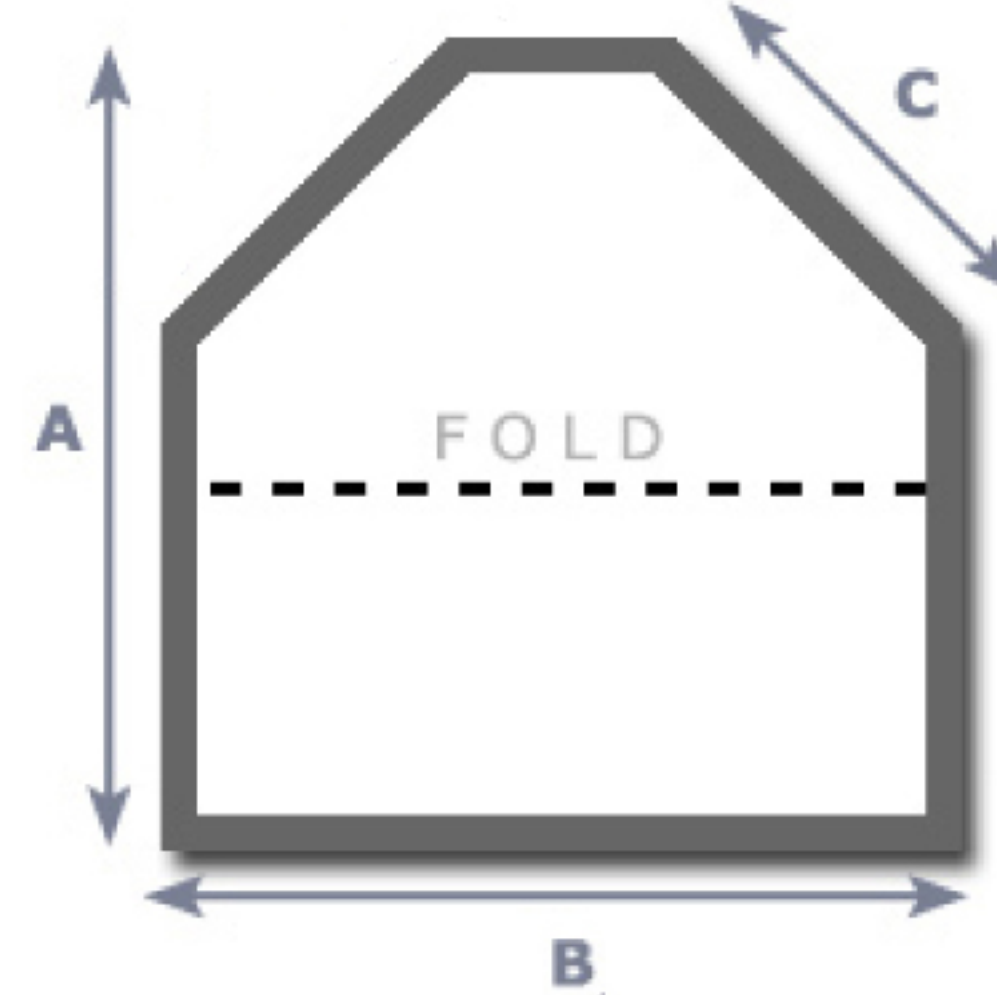


Dimension A: _____

Dimension B: _____

Dimension C: _____

Two Cut Corner: B



Dimension A: _____

Dimension B: _____

Dimension C: _____



IMPORTANT: Get the Fold Right!

90% of the time the fold cuts the longest dimension in half but it can cut the shortest dimension in half too. We try to eliminate any potential confusion with this simple rule: **The fold always cuts the A dimension in half. Be sure to enter the right dimension in “A.”**



For more complete instructions on how to do any part of this, please see our video presentation, [“Measuring for a Spa Cover.”](#)

Cover Skirt Length: _____

A 4" skirt length will be used if no length is entered on the order form.

A spa cover skirt is the portion of your fabric that extends down from your cover bottom and overlaps the top of your spa. Cover skirts help protect the acrylic (thick plastic) part of your spa from UV damage so it's important that they hang down enough to cover the acrylic.

If your spa has a rail that sticks out from the cabinet under the acrylic, most people extend the skirt down past the rail. If you do this, be sure the cover is wide enough around so that the skirt can hang straight down.



Safety Strap Length: _____

7" straps will be used if no length is entered on the order form.



Please measure cover safety straps from the bottom of the cover down to where the strap meets the clip (don't include the clip itself). In order to maintain our high safety ratings, we must ship your cover with safety straps so if you have a flush mount you can order straps as small as 1" longer than your skirt.