

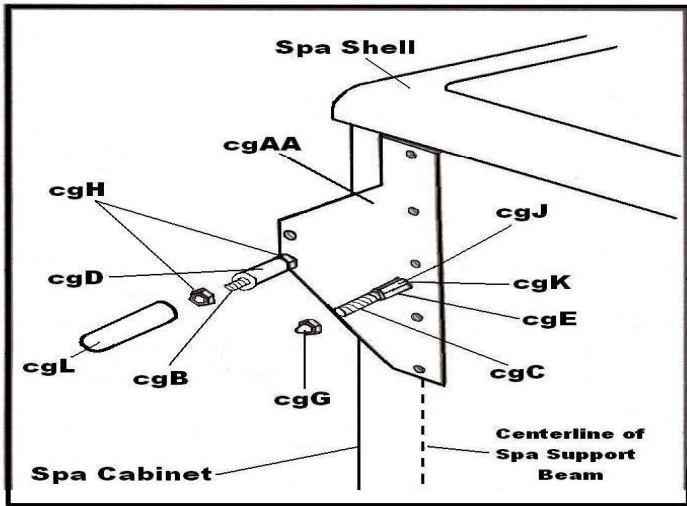


## COVER GENIE INSTALLATION INSTRUCTIONS

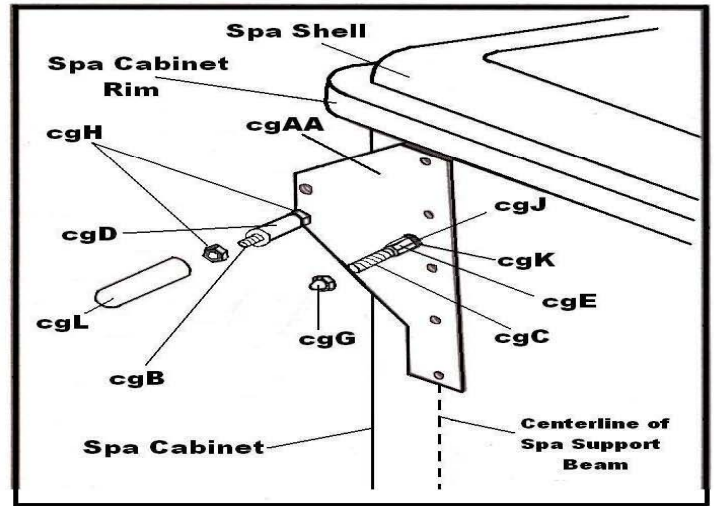
1. Lay-out and verify that all parts are present according to the Cover Genie Parts and Hardware Charts.

**For replacement, missing, or special order parts call COVER VALET 1-800-730-7727 or (001) (562) 283-0595.**

2. Determine if your spa's shell folds over the side of the spa (fig. 1 Bracket long side up installation) or if your spa shell rests on the spa cabinet (Fig. 2 Bracket Short Side Up Example).



**Fig. 1 Bracket Long Side Up Example**



**Fig. 2 Bracket Short Side Up Example**

3. Determine which sides you are going to mount the Cover Genie on and locate the spa's interior, vertical support beams near the corners. (You may have to remove one or more of the spa's side panels in order to find the exact location of the vertical support beams). Mark the outside of the panel along the centerline of the support beams. Failure to mount the Cover Genie to the spa's vertical support beams may cause damage to the Cover Genie, spa cover, and or spa, and will also **VOID ALL WARRANTIES!**

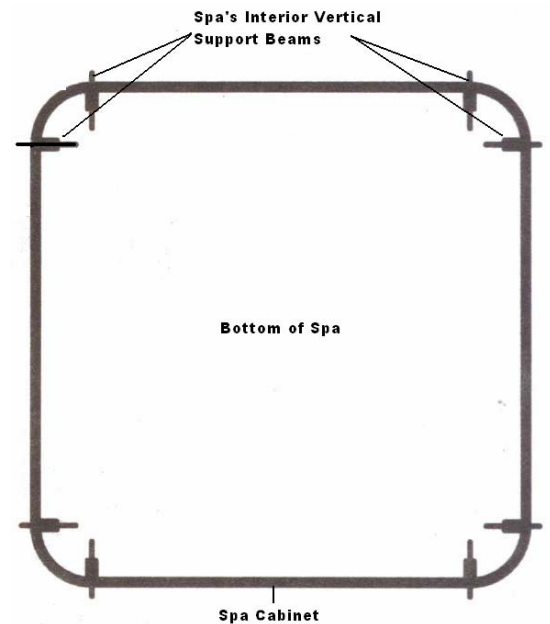
**\*\*Pre-Assemble the Cover Genie Bracket before mounting to spa the cabinet\*\***

4. Place the Rounded Head Bolts (cgC) through the Cover Genie Bracket holes (near the five mounting holes) so that the flat head will be facing towards the spa cabinet. Thread the Washers (cgJ), then Lock Washers (cgK), and then tighten the Coupler Nuts (cgE) against the Cover Genie Brackets (cgAA). Loosely attach the Acorn Nuts (cgG) to the ends.

5. Place the Flat Head Bolts (cgB) through the bottom of the two holes on the Cover Genie Brackets (cgAA). Thread on a Nut (cgH) and tighten against the Cover Genie Brackets (cgAA). Slide on the Resting Tube (cgD) then thread and tighten down with another Nut (cgH). Slide on the Resting Tube Sleeve (cgL).

6. Place the top of the pre-assembled Cover Genie Bracket (cgAA) parallel and as close to the spa acrylic shell or rim as possible. **\*\*\*Pre-Drilling all holes is advised\*\*\*** Mount the pre-assembled Cover Genie Bracket (cgAA) to the spa cabinet using all 5 Lag Screws (cgA).

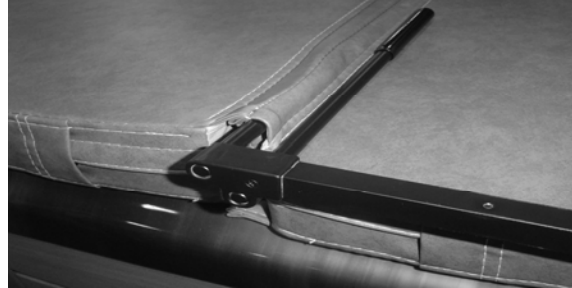
7. Unscrew the Acorn Nuts (cgG) and slide in the Pivot Arms (cgBB). Tighten the Pivot Arms (cgBB) into place with the Acorn Nuts (cgG).  
8. Screw threaded Fingers (cgDD) into Extension Arms (cgCC). The second set of Fingers (cgDD) should thread in the opposite direction of the first, so that when the "high" and "end" Fingers (cgDD) are facing each other, they line up evenly. This will create a left and right side.



9. Slide the Finger (cgN) and Stabilizer Bar Sleeves (cgM) over the Fingers (cgDD) and Stabilizer Bars (cvEE) respectively.
  10. Lay your spa cover on top of the spa and center the cover evenly, then slide the cover forward about 2 or 3 feet (1 meter).
  11. Slip the seam of the spa cover between the Fingers (cgDD) with the Extension Arms (cgCC) pointing towards the Pivot Arms (cvBB). The “end” fingers should rest under the spa cover, while the “high” fingers should rest on top of the spa cover (Fig. 1 Correct). Extension arms must have the “knuckle” pointing up.
- \*\*Caution, it is possible to install the fingers “backwards” with the “knuckle” of the Extension Arm (cgCC) pointing down. Doing so will cause excessive stress on the seam and could damage the spa, spa cover, and/or Cover Genie. Installing the fingers “backwards” will void all warranties! (Fig. 2 Wrong)\*\***



**Fig. 1 Correct (knuckle up)**



**Fig. 2 Wrong (knuckle down)**

12. Align the Extension Arms (cgCC) so that they will slide into the Pivot Arms (cgBB). Slowly and evenly slide the Pivot Arms (cgBB) into the Extension Arms (cgCC) until the spa cover is centered over the spa.  
 \*\*\*\***The cover should now be in the same position as the beginning of Step # 10.** \*\*\*\*
13. Securely fasten the Stabilizer Bars (cgEE) **and** the Extension Arms (cgCC) to the Pivot Arms (cgBB) with the Short Hex Bolts (cgF). Tighten just enough so that the Extension Arms (cgCC) will no longer slide in and out of the Pivot Arms (cgBB) and the Stabilizer Bar (cgEE) will not spin. **\*\*\*CAUTION: DO NOT OVERTIGHTEN\*\*\***

## COVER GENIE MAINTENANCE INSTRUCTIONS

The Cover Genie was designed for a specific use. The Cover Genie is not designed to BEND, WARP, or to be ABUSE PROOF. **Do Not stand, sit, lie on, or permit heavyweight to rest on the Cover Genie.** Do not clean with abrasives, solvents, or strong detergents. Most of the hardware has been Zinc coated for durability, but will deteriorate quicker when exposed to high levels of Chlorine, Bromine, Ozone, or other active chemicals. Check nuts and bolts often and tighten if necessary. Any parts showing evidence of wear should be replaced immediately.

**Call Cover Valet at 1-800-730-7727 or (001) (562) 283-0595 for any replacement parts.**

Caution must be used when operating the Cover Genie in order to maintain its function and longevity. The maintenance and use instructions are provided to prevent damage to the Cover Genie. Damage caused by failing to follow the maintenance and use instructions will not be covered by the manufacturer’s warranty.



## COVER GENIE USE INSTRUCTIONS

How to **CLOSE** your spa cover using the Cover Genie:

- a. With the spa cover in the upright position, guide the Cover Genie and spa cover down onto the spa slowly. **NEVER** allow the spa cover to fall onto the spa shell unassisted, as it can cause damage to your Cover Genie, spa, and/or spa cover!
- b. Unfold the spa cover off itself and engage the spa cover locks if available.

How to **OPEN** your spa cover using the Cover Genie:

- a. Fold spa cover onto itself.
- b. Lift Cover Genie and spa cover to upright position by pulling/pushing up and back on the middle of the spa cover and/or Extension Arm.



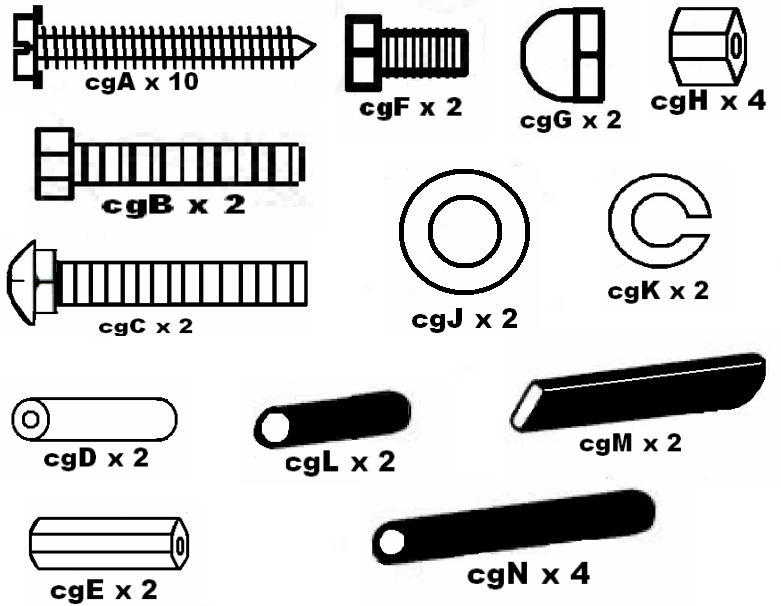
**NEVER LEAVE AN UNCOVERED HOT TUB OR SPA UNATTENDED.  
 NEVER LEAVE A COVERED HOT TUB OR SPA UNLOCKED.**

# Cover Genie Parts & Hardware Chart

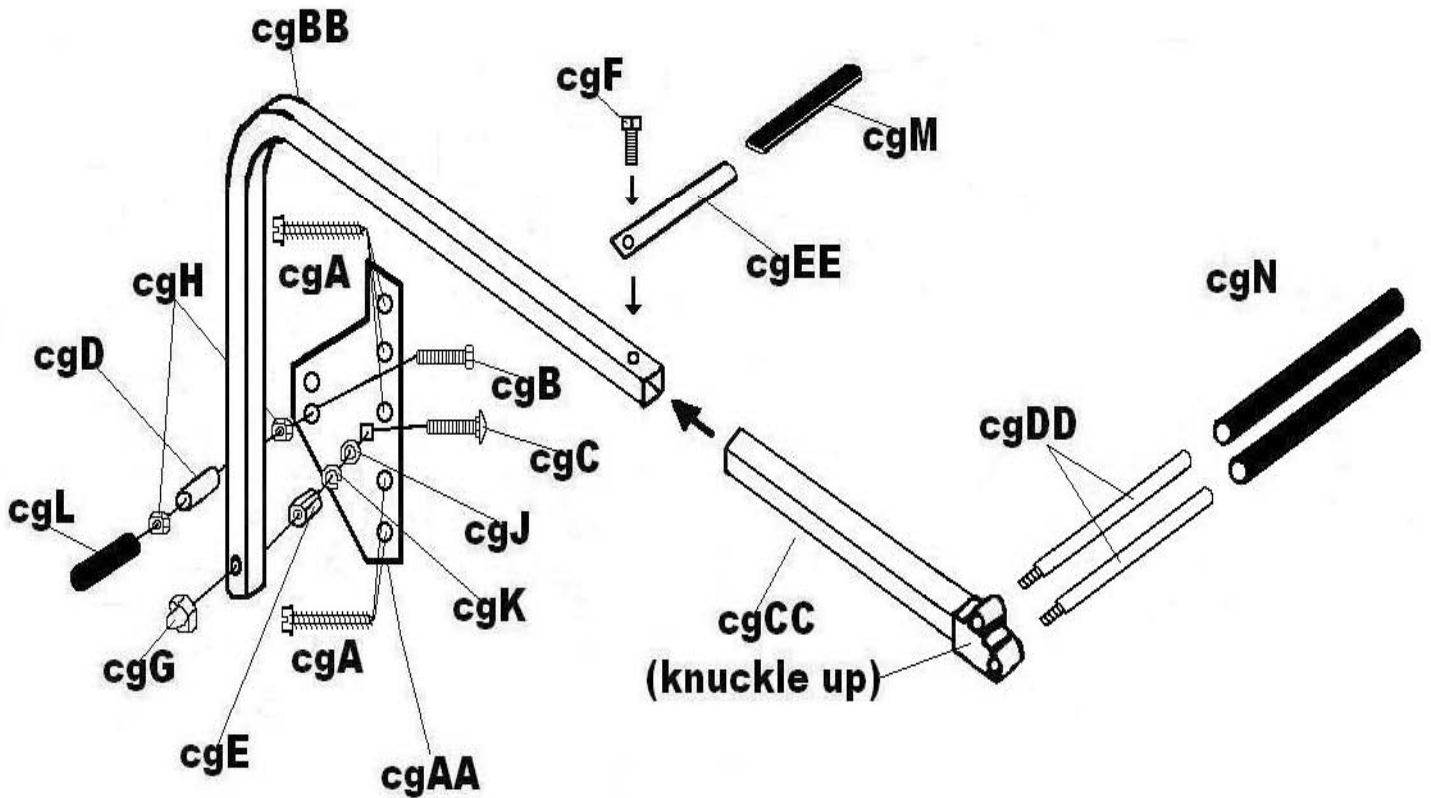
For replacement, missing, or special order parts call COVER VALET 1-800-730-7727 or (001) (562) 283-0595.

Name	Quantity	Part Description
cgAA	2	Bracket
cgBB	2	Pivot Arm
cgCC	2	Extension Arm
cgDD	4	Fingers
cgEE	2	Stabilizer Bar

**Recommended Tools**  
 \* Ruler  
 \* Marker  
 \* Drill w/ Bits  
 \* Phillips Bit  
 \* 5/16" Socket  
 \* 7/16" Wrench  
 \* 9/16" Wrench (2)



Name	Quantity	Hardware Description
cgA	10	Lag Screw
cgB	2	Flat Head Bolt
cgC	2	Rounded Head Bolt
cgD	2	Resting Tube
cgE	2	Spacer Nut
cgF	2	Short Hex Bolt
cgG	2	Acorn Nut
cgH	4	Nut
cgJ	2	Washer
cgK	2	Lock Washer
cgL	2	Resting Tube Sleeve
cgM	2	Stabilizer Sleeve
cgN	4	Finger Sleeve





**California Home Spas, INC.**

**Cover Genie 5-Year Limited Warranty**

Any Cover Genie shown to be unserviceable due to defects in materials or workmanship within 5 years from the date of purchase will be repaired or replaced at the option of California Home Spas, INC, without charge for labor or materials. (This excludes the cost of freight to and from the manufacturer).

**EXCLUSIONS:**

- A. This warranty does not cover damage incurred by the use of the Cover Genie and/or the spa cover, other than in accordance with the printed literature provided by California Home Spas, INC.
- B. Defects in components of any part, which are not part of the Cover Genie.
- C. Misuse, abuse, negligence, accident, or alterations other than authorized by California Home Spas, INC.
- D. Normal fading and minor deterioration caused by exposure to the sun, rain, chemicals or environmental factors.
- E. Use of solvents, abrasive cleaners or brushes, and strong detergents.

**\*\*\* Except as expressly provided, there shall be no additional warranty obligation expressed or implied oral or statutory. \*\*\***

**ADDITIONS:**

- A. California Home Spas, INC. shall not be liable for consequential damages or incidental expenses resulting from any breach of the before mentioned warranties.
- B. This warranty gives you specific legal rights and you may have other rights which can vary in different states and countries.
- C. Any dispute between the Buyer and California Home Spas, INC. pertaining to this warranty may, at the option of the Buyer, be resolved in the State of California, USA, in according to the rules of the American Arbitration Association.
- D. Should any one or more of the terms, provisions, covenants, or conditions of this warranty be determined void, invalid, illegal, or unlawful in any respect, then it shall be so, however it will not affect any of the other terms or provisions of this warranty and the remainder hereof shall still be effective.

---

**COVER GENIE WARRANTY REGISTRATION FORM**

**Complete and return within (10) days. Please type or print clearly. Incomplete and/or unreadable forms may not be registered.**

**Owners Name:** \_\_\_\_\_

**Address:** \_\_\_\_\_

**Phone Number:** ( \_\_\_\_\_ ) \_\_\_\_\_

**E-Mail Address:** \_\_\_\_\_

**Date of Purchase:** \_\_\_\_\_ . **Dealer's Name:** \_\_\_\_\_

**How did you hear about us?**

**1. Dealer** \_\_\_\_\_ . **4. Home Show** \_\_\_\_\_ . **7. Other** \_\_\_\_\_ .

**2. Showroom Display** \_\_\_\_\_ . **5. Magazine** \_\_\_\_\_ . **8. Internet (website)** \_\_\_\_\_ .

**3. Friend** \_\_\_\_\_ . **6. T.V.** \_\_\_\_\_ . \_\_\_\_\_ .

**For more information, Please contact us at: Cover Valet**

**1621 East Spring Street.**

**Long Beach, CA. 90806 USA**

**1-800-730-7727**

**(001) (562) 283-0595**

**Questions@covervalet.com**

Visit us at [www.CoverValet.com](http://www.CoverValet.com)

---